



## MIAMI

Integral freezer and chiller cabinets. Ready to plug in.



**INNOVATIVE AND ENERGY EFFICIENT!**

# THE UNBELIEVABLY ECONOMICAL COOLING AND FREEZING UNIT WITH OPTIMIZED MERCHANDISE PRESENTATION.

Model MIAMI. This innovative cooling and freezing device stands for maximum energy efficiency and is a member of our new generation of low-energy marvels. Brilliant LED interior lighting assures an attractive presentation of your goods while the large, curving panoramic glass sliders optimize presentation area and make for perfect viewing. The unit's low height allows convenient placement and withdrawal of merchandise.

## Key benefits

- | High energy savings compared with conventional open units
- | Maximum energy efficiency thanks to electronic speed-controlled compressor (VS)
- | **AHT e-conomize:**  
Massive additional power saving potential due to extensive optimizations in technology and construction
- | New synthetic interior casing for better hygiene and easy cleaning
- | Ecologically sound thanks to the natural refrigerant propane
- | 100 % CFC and PFC-free
- | Ready to plug in – no additional assembly required
- | Improved viewing of merchandise and optimized capacity
- | Low front access height for convenient merchandise placement and withdrawal
- | Low investment and operating costs
- | Maintenance-free cooling technology



## Temperature ranges

- | Chilling: +3 °C to +15 °C<sup>1</sup>
- | Freezing: -18 °C to -23 °C
- | Meat and minced meat refrigeration: 0 °C to +2 °C<sup>2</sup>

<sup>1</sup> Preset is fixed at 4 °C – possibility to change to another temperature by a service technician.

<sup>2</sup> For product quality reasons, semiautomatic defrosting is not possible in »Meat/Ground meat« operating mode.

## Flexible Location Options

- | Can be used as a stand alone unit
- | Can be used in a line up
- | Can be used as an island
- | Maximizes the use of floor space with an end cabinet
- | Can be either installed below shelving or integrated into existing shelving systems

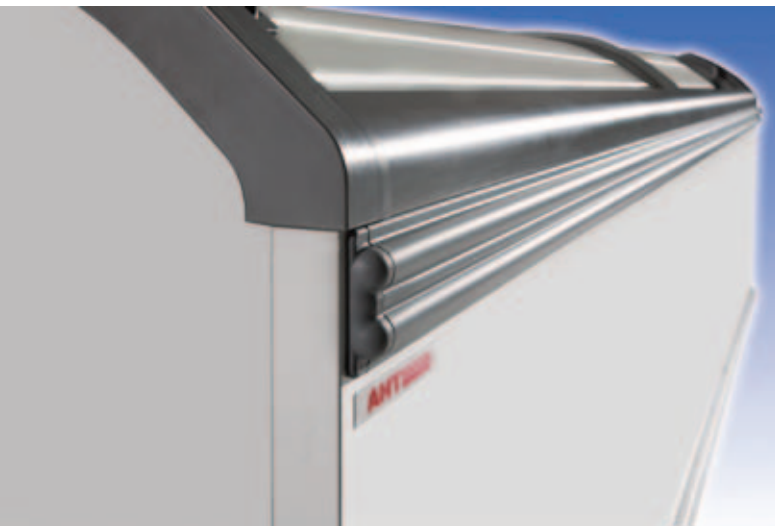


## Accessories\*

- | **Dividers and base units** to maximize your sales
- | **Product labeling and price tags**
- | **Impact protection bumpers** available in different colors
- | **Covers** for setting in an island
- | **Kick plates** will prevent water and dust from falling below the cabinets
- | **Lighting unit** that is available in different versions
- | **Trolley guards** against physical impact

\* Please feel free to ask us for our accessories folder.





## The perfect solution – built in semi-automatic defrost! (AD)

### The semi-auto-defrost process:



1.) Innerwall before the auto-defrost process begins



2.) Frost build-up is thawed during auto-defrost



3.) Frost-free inner wall after the defrosting process



Regular defrosting ...



... with goods kept at a constant temperature

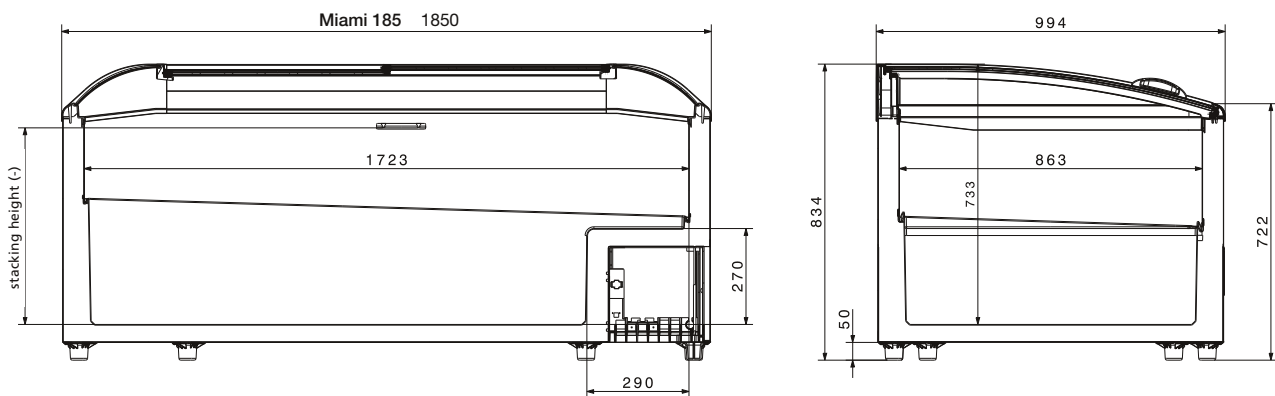
**MIAMI**

**145**

**185**

Technical Data		(-) VS AD ECO LED	(U)* VS AD ECO LED	(-) VS AD ECO LED
Gross content	litre	605	605	927
Net content according to EN 23953	litre	390	367 / 226 / 350	595
Total display area (TDA)	m <sup>2</sup>	0,82	0,82	1,24
Classification according to EN 23953		3L1	3S / 3S / 3L1	3L1
Ambient temperature range	°C	+16 to +25	+16 to +25	+16 a +25
Inner temperature range	°C	-18 to -23	+3 to +15 / 0 to +2 / -18 to -23	-18 to -23
Sound pressure in 1 m distance	dB(A)	43,6	43,6	43,6
Electrical Data				
Nominal voltage/frequency	V/Hz	220-240 / 50	220-240 / 50	220-240 / 50
Nominal power cabinet	W	400	400	500
Nominal power illumination	W	36	36	39
Nominal current	A	1,8	1,8	3,0
Fuse protection	A	16	16	16
Energy consumption (at 25 °C)	kWh/24 h	4,5	1,8 / 2,8 / 4,5	5,1
Length of power supply cord	mm	1750	1750	1750
Refrigeration Data				
Refrigerant type		R290	R290	R290
Refrigerant charge	g	80	80	100
Max. operating pressure	bar	30	30	30
Dimensions				
Length outside/inside	mm	1457 / 1328	1457 / 1328	1850 / 1723
Depth outside/inside	mm	854 / 723	854 / 723	994 / 863
Front access height/height outside	mm	727 / 833	727 / 833	722 / 834
Stacking height	mm	510	530 / 340 / 510	480
Weight				
Net weight (excl. packaging, incl. process-related internal accessories)	kg	97	106	123
Gross weight (incl. packaging and process-related internal accessories)	kg	103	112	133

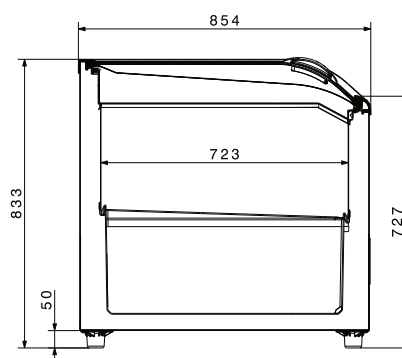
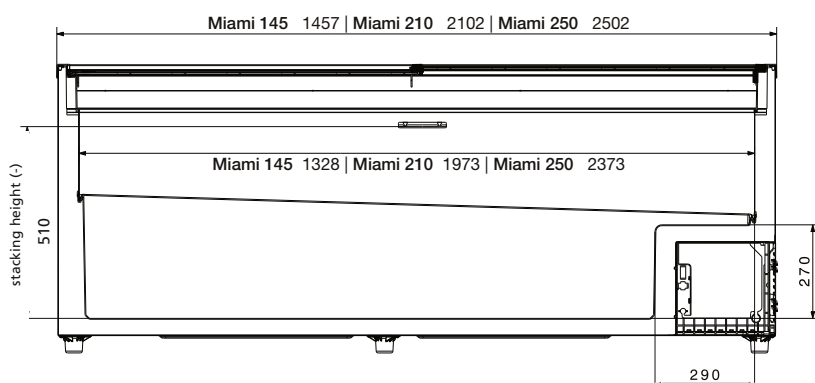
\*Universal cabinet: The cabinet covers all three temperature ranges of refrigeration +3 °C to +15 °C / meat and minced meat refrigeration 0 °C to +2 °C / freezing -18 °C to -23 °C.



For version AD/U the inner dimensions are reduced due to the necessary use of wire grids along the inside walls.

# e-conomize POWER SAVER PLUS

		210		250	
(U)* VS AD ECO LED	(-) VS AD ECO LED	(U)* VS AD ECO LED	(-) VS AD ECO LED	(U)* VS AD ECO LED	(-) VS AD ECO LED
927	926	926	1125	1125	
574 / 342 / 547	612	597 / 373 / 572	749	740 / 465 / 709	
1,24	1,24	1,24	1,51	1,51	
3S / 3S / 3L1	3L1	3S / 3S / 3L1	3L1	3S / 3S / 3L1	
+16 a +25	+16 a +25	+16 a +25	+16 a +25	+16 a +25	
+3 to +15 / 0 to +2 / -18 to -23	-18 to -23	+3 to +15 / 0 to +2 / -18 to -23	-18 to -23	+3 to +15 / 0 to +2 / -18 to -23	
43,6	43,6	43,6	43,6	43,6	
<b>220-240 / 50</b>					
220-240 / 50	220-240 / 50	220-240 / 50	220-240 / 50	220-240 / 50	220-240 / 50
500	490	490	490	490	
39	52	52	62	62	
3,0	2,8	2,8	2,8	2,8	
16	16	16	16	16	
2,1 / 3,3 / 5,1	4,9	2,2 / 3,3 / 4,9	5,3	2,5 / 3,9 / 5,3	
1750	1750	1750	1750	1750	
<b>R290</b>					
R290	R290	R290	R290	R290	R290
100	100	100	110	110	
30	30	30	30	30	
<b>1850 / 1723</b>					
1850 / 1723	2102 / 1973	2102 / 1973	2502 / 2373	2502 / 2373	
994 / 863	854 / 723	854 / 723	854 / 723	854 / 723	
722 / 834	727 / 833	727 / 833	727 / 833	727 / 833	
500 / 310 / 480	510	530 / 340 / 510	510	530 / 340 / 510	
<b>132</b>					
132	139	148	157	166	
<b>142</b>					
142	150	159	168	177	



**AHT**  
green.freshness.worldwide

AHT Cooling Systems GmbH  
8786 Rottenmann · Austria  
Phone +43/(0)3614/2451-0  
Fax +43/(0)3614/2451-8  
Email office@aht.at

OHSAS 18001  
SA 8000

ISO 9001  
ISO 14001