



Chilled vertical cabinets GAZELLE 4



Product categories



Technical features

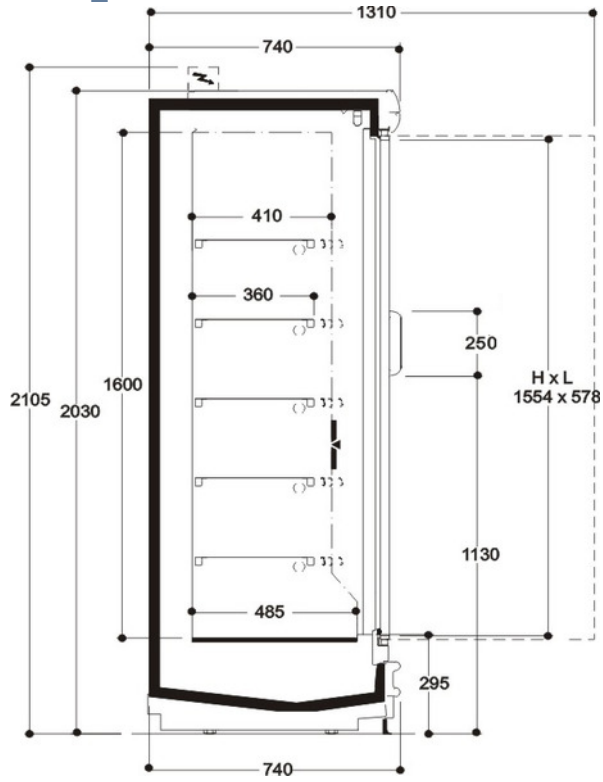




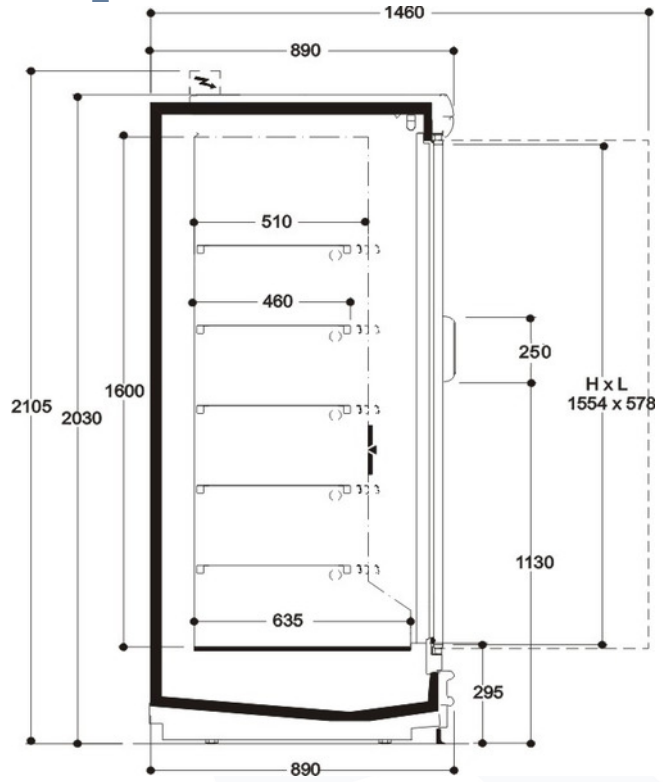
GAZELLE 4													
Length mm		1250		1875		2500		3750		2000		2310	
Height mm		20	22	20	22	20	22	20	22	20	22	20	22
GAZELLE 4	DG	•	•	•	•	•	•	•	•	•	•	•	•
	SG	•	•	•	•	•	•	•	•	•	•	•	•
Display area m ²	DG	1.54	1.71	2.30	2.67	3.08	2.58	4.62	5.17	2.38	2.67	2.75	3.06
	SG	2.06	2.30	3.08	3.44	4.11	4.60	6.17	6.90	3.18	3.55	3.67	4.10
Loading area m ²	DG	0.90	0.90	1.35	1.65	1.85	1.35	2.75	2.75	1.77	1.77	2.04	2.04
	SG	0.90	0.90	1.35	1.35	1.85	1.85	2.75	2.75	1.77	1.77	2.04	2.04
End thickness mm		End thickness mm : 30.00 (+ 35 Bumper rail) Canopy : 70											



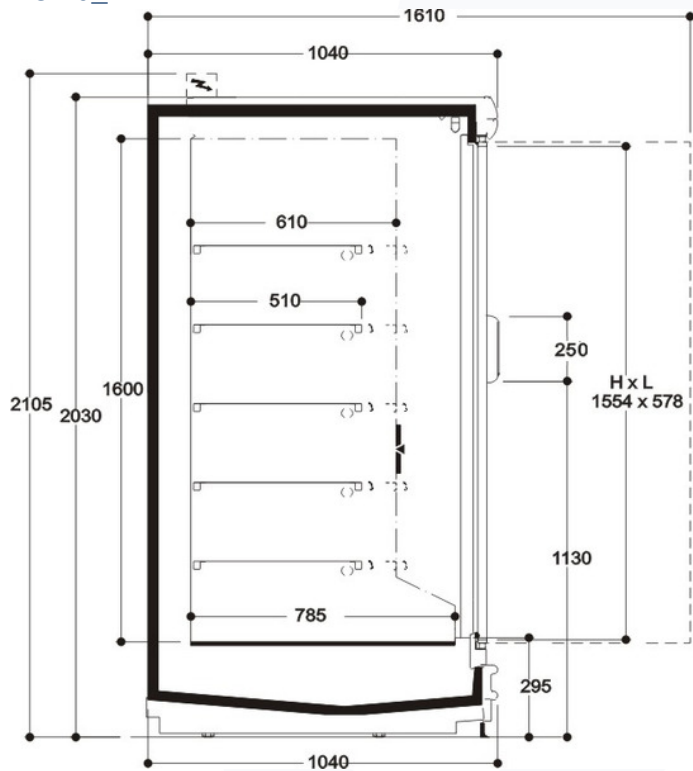
DG 20_C



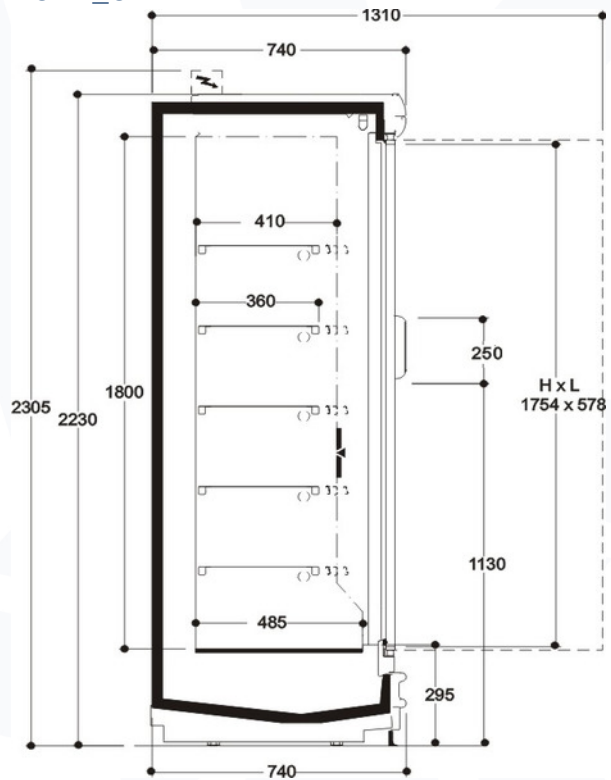
DG 20_N



DG 20_L

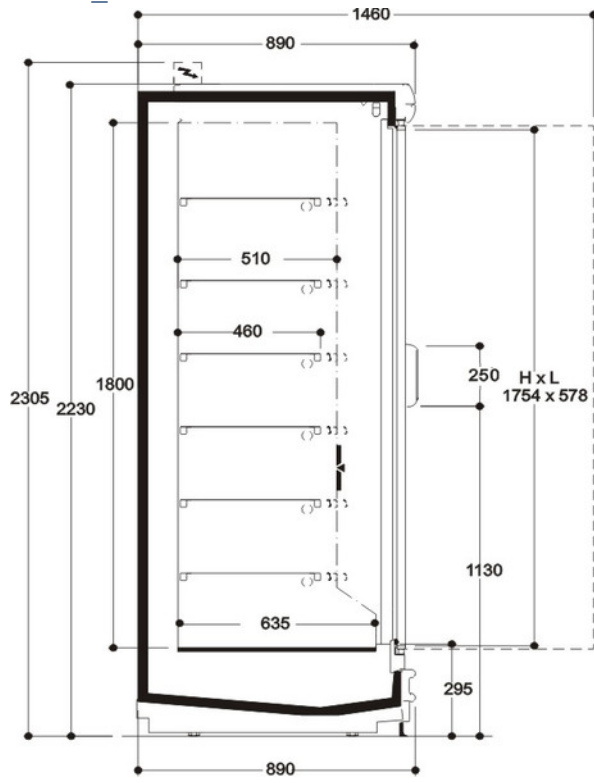


DG 22_C

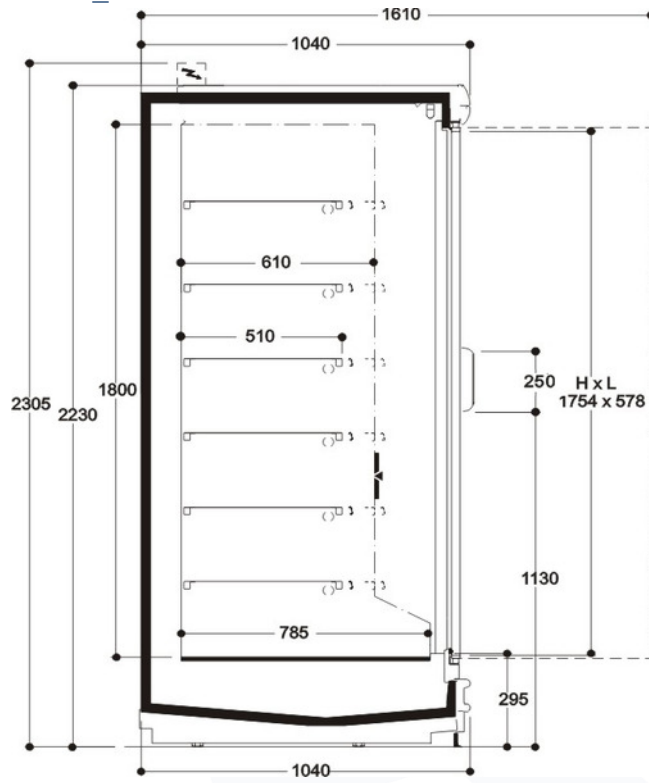




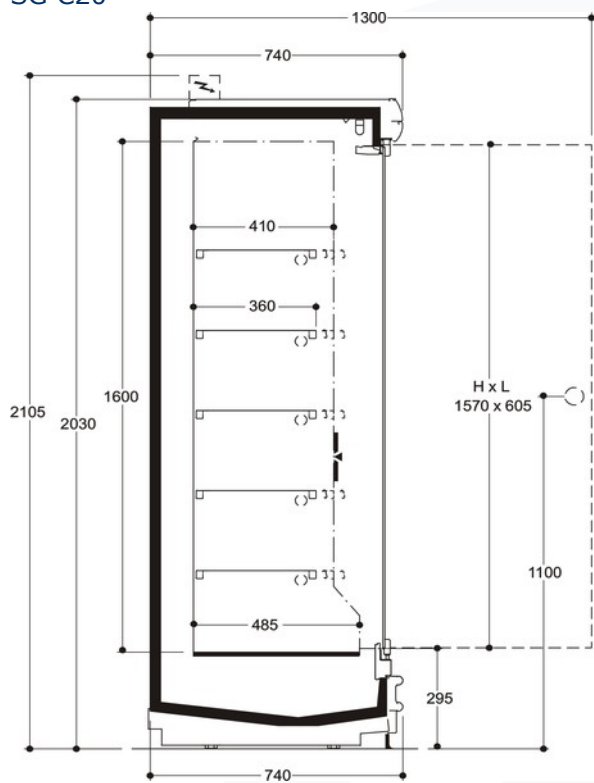
DG 22_N



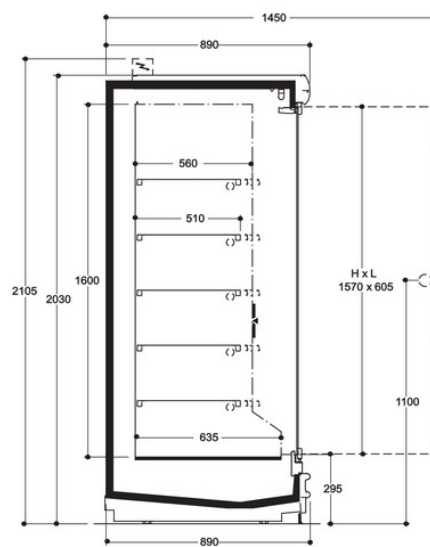
DG 22_L



SG C20

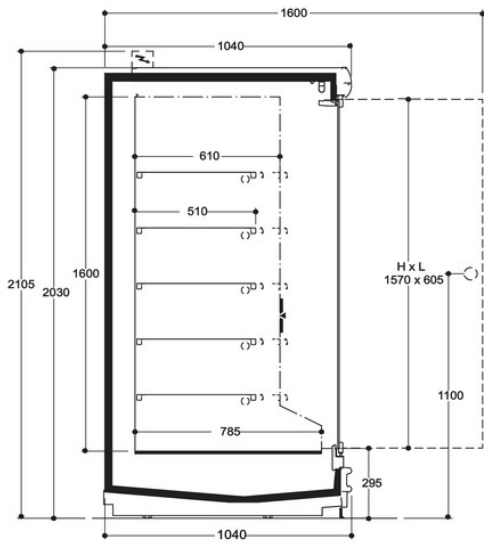


SG N20

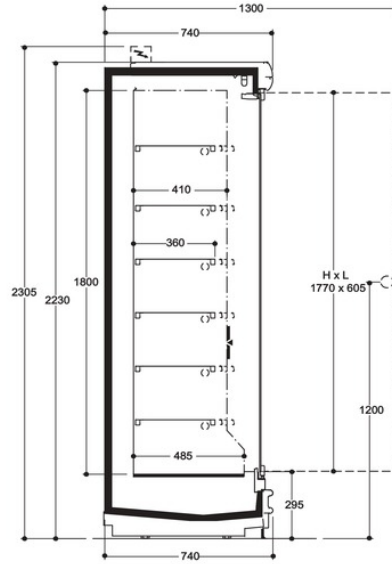




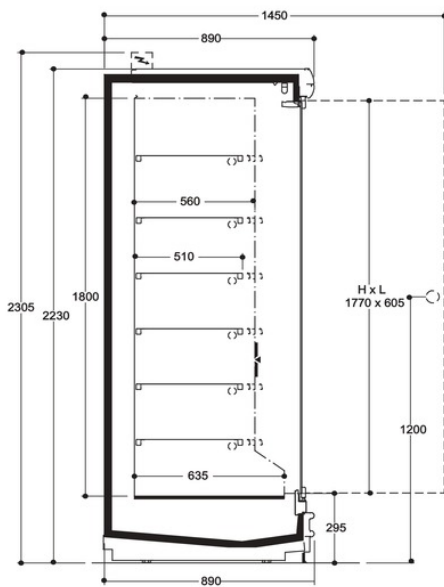
SG L20



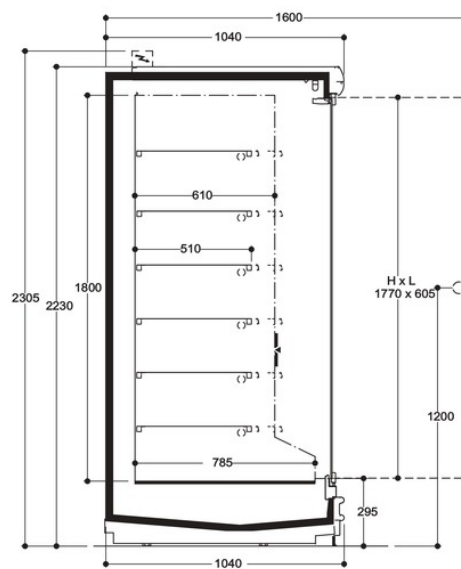
SG C22



SG N22

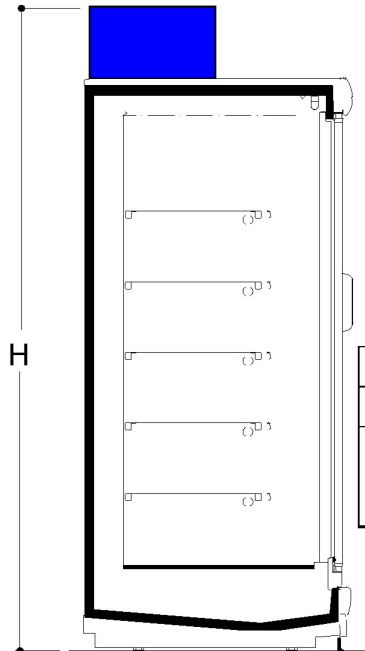


SG L22





EPTABLUE OPTION



	L	H (mm)	
		20	22
GAZELLE C-N	2500	2340	2540
	3750	2250	2450
GAZELLE L	1875	2250	2450
	2500	2250	2450
	3750	2250	2450
	MT200	2250	2450
	MT2310	2250	2450



Legend

 Meat	 Chicken	 Fish	 Pre-packed fish
 Delicatessen	 Cheese	 Dairy products	 Gastronomy
 Pastries	 Pre-packed fruit and vegetables	 Fruits and Vegetables	 Sandwiches
 Drinks	 Pizza	 Bread	 Frozen food and ice cream
 Off-cycle defrost	 Electric defrost	 Hot-gas defrosting system	 Manual defrost
 Ventilated	 Static	 Incorporated condensing unit	 Remote condensing unit
 Bagnomaria	 Ceramic glass	 Ice	 VSD Inverter technology
 LED lighting	 Zero C doors	 High efficiency fans	 R290 Propane refrigerant gas (R290)
 R134a R-134a - 400V/3PH/50Hz	 R404A R404A - 400V/3PH/50Hz	 R744 R744 - 400V/PH/50Hz	 Compressor hermetic reciprocating
 Hermetic scroll compressor	 Semi-hermetic reciprocating compressor	 VSD Inverter technology	 External installation
 Machinery room	 Soundproof housing	 On board condenser	 Remote condenser
 DUAL Medium & Low temperature	 Technokleen	 Thin Tech	 EB