



Vertical and horizontal freezers TORTUGA 2



Product categories



Technical features



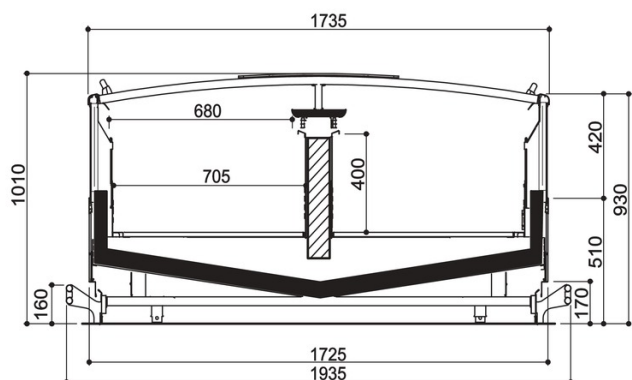


TORTUGA 2

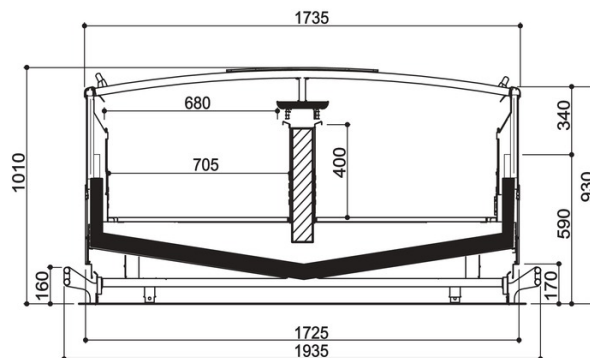
Length mm		1800 1880	1800 2500	1800 3750	1800 MT1730	1800 MT1940	2000 1880	2000 2500	2000 3750	2000 MT2020	2000 MT2230
TORTUGA 2	LG300	•	•	•	•	•	•	•	•	•	•
	HG400	•	•	•	•	•	•	•	•	•	•
Display area m2	LG300	3.05	4.02	6.05	1.54	1.54	3.72	4.95	7.42	2.30	2.30
	HG400	3.40	4.50	6.80	1.70	1.70	4.13	5.50	8.23	2.50	2.50
Loading area m2	LG300	3.20	4.30	6.40	2.00	2.00	3.79	5.04	7.56	2.16	2.16
	HG400										
Net storage capacity dm3	LG300	1053.00	1400.00	2100.00	581.00	581.00	1278.00	1700.00	2550.00	682.00	682.00
	HG400										
End thickness mm	Panorami c	70 (+ 104)									
	Blind	51 (+ 104)									



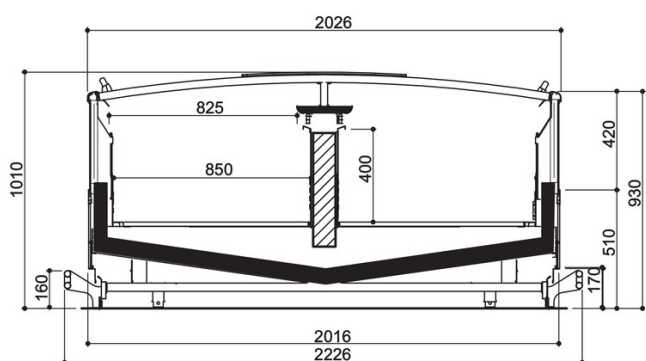
TORTUGA 2 1800 HG 400



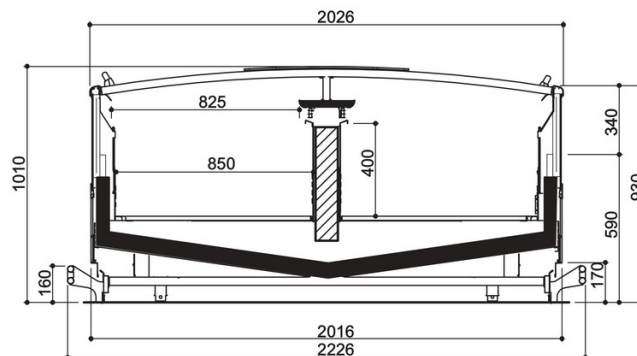
TORTUGA 2 1800 LG 300



TORTUGA 2 2000 HG 400



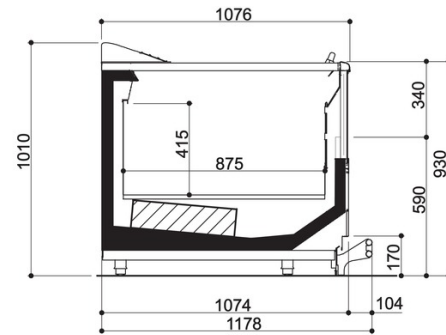
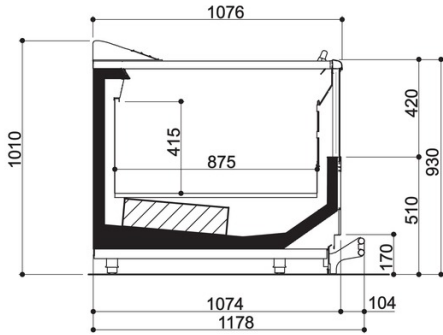
TORTUGA 2 2000 LG 300





MT - HG 400

MT - LG 300





Legend

 Meat	 Chicken	 Fish	 Pre-packed fish
 Delicatessen	 Cheese	 Dairy products	 Gastronomy
 Pastries	 Pre-packed fruit and vegetables	 Fruits and Vegetables	 Sandwiches
 Drinks	 Pizza	 Bread	 Frozen food and ice cream
 Off-cycle defrost	 Electric defrost	 Hot-gas defrosting system	 Manual defrost
 Ventilated	 Static	 Incorporated condensing unit	 Remote condensing unit
 Bagnomaria	 Ceramic glass	 Ice	 VSD Inverter technology
 LED lighting	 Zero C doors	 High efficiency fans	 R290 Propane refrigerant gas (R290)
 R134a R-134a - 400V/3PH/50Hz	 R404A R404A - 400V/3PH/50Hz	 R744 R744 - 400V/PH/50Hz	 Compressor hermetic reciprocating
 Hermetic scroll compressor	 Semi-hermetic reciprocating compressor	 VSD Inverter technology	 External installation
 Machinery room	 Soundproof housing	 On board condenser	 Remote condenser
 DUAL Medium & Low temperature	 Technokleen	 Thin Tech	 EB